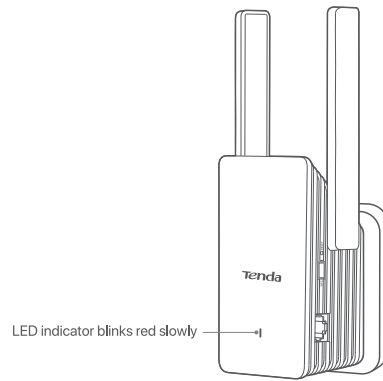


Plug the extender into a power outlet near the router, and wait until the LED indicator of the extender blinks red slowly.

Quick Installation Guide

Wi-Fi 6 Range Extender
A23

Please read this guide before you start with the quick setup upon the first use. This guide instructs how to install and connect the device. For more information, such as the description of symbols displayed on relevant materials, visit www.tendacn.com or scan the **Product Documents** QR code of this guide.

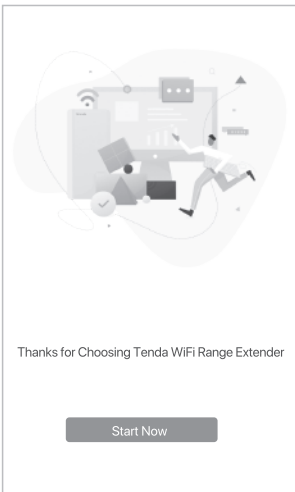


2 Connect to the internet

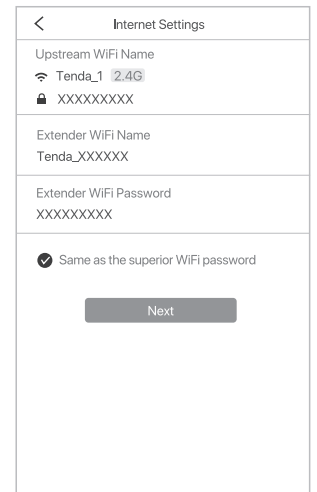
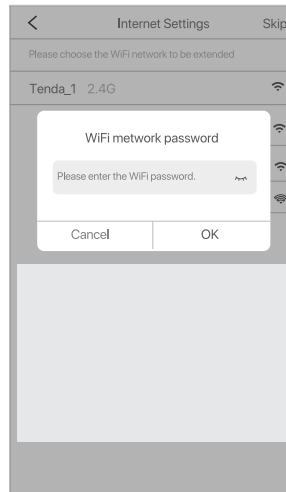
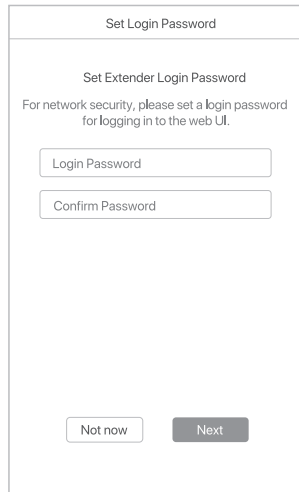
Method 1: Set up the extender by web UI

Setup by smartphone

- 1 Connect the smartphone to the WiFi network of the extender: **Tenda_EXT** and when the web UI of the extender is displayed automatically, tap **Start Now**.
- 2 Set **Login Password**, and tap **Next**.
- 3 Choose the WiFi network to be extended and enter its WiFi password, and then tap **OK**.
- 4 Change the WiFi name and WiFi password of the extender as required, and tap **Next**.

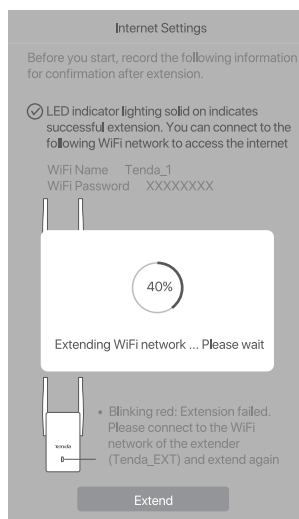
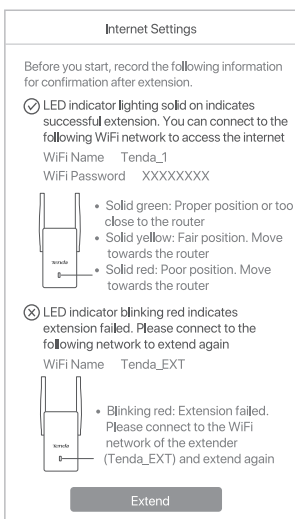


* If the above page does not appear, start a web browser, and access re.tenda.cn in the address bar to manually log in to the web UI. If the web UI still does not appear, refer to **Q1** in **FAQ**.



- 5 Read the extension message, and tap **Extend**.

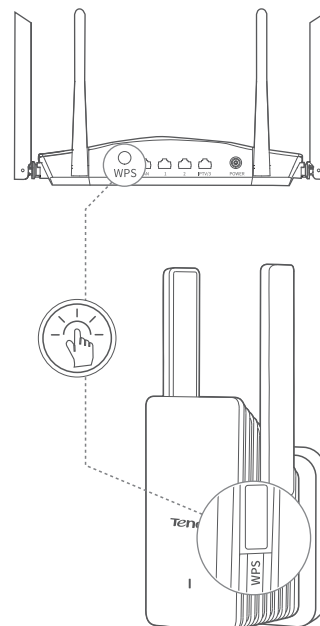
Wait a moment until the extension finishes. Now you can connect to the WiFi network you set.



Method 2: Set up the extender by WPS button

* This method is applicable for the router having a WPS button or supporting Tenda Wi-Fi+Mesh technology.

- 1 Press the **WPS** on the router to enable its WPS function.
- 2 Within 2 minutes, press the **WPS** button on the extender, and its LED indicator blinks green fast. When the LED indicator lights solid green, the setup is successful.



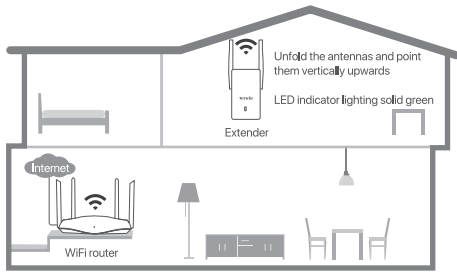
Setup by computer

1. Connect your laptop to the WiFi network of the extender: **Tenda_EXT**, or use an Ethernet cable to connect the computer to the Ethernet port of the extender.
2. Enter the re.tenda.cn in the address bar to access the web UI of the extender. Click **Start Now**.
3. Follow the onscreen instructions to complete the setup.

* If the web UI still does not appear, refer to **Q1** in **FAQ**.

III Relocate the extender

- 1 Refer to the following relocation tips to locate the extender to obtain a better performance.
 - Place the extender between the router and the WiFi dead zone (the location you choose must be within the coverage of the router).
 - Keep your extender away from electronics with strong interference, such as microwave ovens, induction cookers, and refrigerators.
 - Place the extender in a high position with few obstacles.
- 2 Observe the LED indicator of the extender to ensure the extender is located in the proper position.
 - Solid green: Proper position.
 - Solid yellow: Fair position. Move the extender closer to the router.
 - Solid red: Poor position. Move the extender closer to the router.



FAQ

Q1. I cannot log in to the web UI of the extender. What should I do?

A1. Try the following solutions:

Before extension:

- If you are using a wireless client, such as a smartphone:
 - Ensure that your smartphone has connected to the WiFi network of the extender: **Tenda_EXT**.
 - Ensure that the **Mobile Data** (if any) function is disabled.
- If you are using a wired device, such as a computer, ensure that your computer is set to **Obtain an IP address automatically** and **Obtain DNS server address automatically**.
- Reset the extender, and then log in again.

After extension:

- If you are using a wireless client, such as a smartphone, ensure that your smartphone has connected to the WiFi network of the extender: The WiFi name is the same as the upstream router by default unless you have customized the extender WiFi name. When the WiFi name of the extender is the same as the upstream router, stand nearby the extender and connect to its WiFi network (the extender should not be too close to the router).
- If you are using a wired device, such as a computer, ensure that your computer is set to **Obtain an IP address automatically** and **Obtain DNS server address automatically**.

Q2. How to reset the extender?

A2. When the extender completes startup, press the **RESET** button using a needle-like item (such as a pin) for about 1 to 3 seconds. When the LED indicator blinks yellow fast, the extender is reset successfully.

Q3. My extender cannot find the WiFi network of my router. What should I do?

A3. Try the following solutions:

- Ensure that your smartphone can detect the WiFi network of your router.
- Change the channel of your router, and try again.
- Change the encryption type of the router to WPA-PSK or WPA2-PSK, WPA3-SAE and try again.

Q4. I cannot find the WiFi name of the extender after extending network successfully (the LED indicator is solid green). What should I do?

A4. The possible reason is that you did not customize the extender WiFi name when extending the network. In this case, the WiFi name of the extender is the same as the upstream router after the extension is successful.

Get support and services

Scan the **Product Documents** QR code to get related documents for more information.



Product Documents
(such as datasheet and user guide)



The specific product model can be found on the label of the device.



FCC Statement

This equipment has been tested and found to comply with the limits for a Class B digital device, pursuant to Part 15 of the FCC Rules. These limits are designed to provide reasonable protection against harmful interference in a residential installation. This equipment generates, uses and can radiate radio frequency energy and, if not installed and used in accordance with the instructions, may cause harmful interference to radio communications. However, there is no guarantee that interference will not occur in a particular installation. If this equipment does cause harmful interference to radio or television reception, which can be determined by turning the equipment off and on, the user is encouraged to try to correct the interference by one or more of the following measures:

- Reorient or relocate the receiving antenna.
- Increase the separation between the equipment and receiver.
- Connect the equipment into an outlet on a circuit different from that to which the receiver is connected.
- Consult the dealer or an experienced radio/TV technician for help.

The device is for indoor usage only.

Operation is subject to the following two conditions: (1) this device may not cause harmful interference, and (2) this device must accept any interference received, including interference that may cause undesired operation.

Radiation Exposure Statement

This device complies with FCC radiation exposure limits set forth for an uncontrolled environment and it also complies with Part 15 of the FCC RF Rules.

This equipment should be installed and operated with minimum distance 20cm between the device and your body.

Caution:

Any changes or modifications not expressly approved by the party responsible for compliance could void the user's authority to operate this equipment.

This transmitter must not be co-located or operating in conjunction with any other antenna or transmitter.

Operating frequency: 2412-2462MHz, 5150-5250MHz, 5725-5850MHz

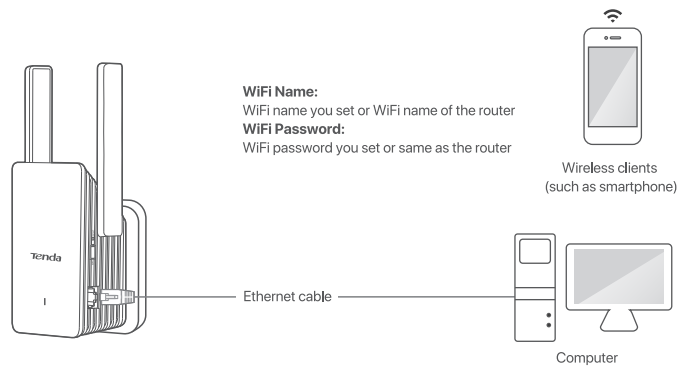
NOTE: (1) The manufacturer is not responsible for any radio or TV interference caused by unauthorized modifications to this equipment. (2) To avoid unnecessary radiation interference, it is recommended to use a shielded RJ45 cable.

Safety Precautions

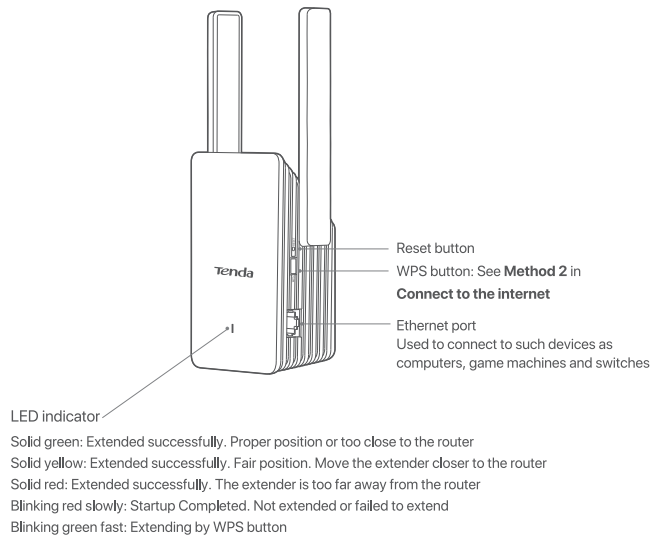
Before performing an operation, read the operation instructions and precautions to be taken, and follow them to prevent accidents. The warning and danger items in other documents do not cover all the safety precautions that must be followed. They are only supplementary information, the installation and maintenance personnel need to understand the basic safety precautions to be taken.

- Do not use the device in a place where wireless devices are not allowed.
- Do not use this apparatus near water.
- Clean only with dry cloth.
- Do not block any ventilation openings, such as newspapers, table-cloth, curtains.
- To avoid electrical shocks, do not insert any object into the ventilation openings.
- Do not install near any heat sources such as radiators, heat registers, stoves or other apparatus that produce heat.
- Unplug this device during lightning storms or when unused for long periods of time.
- If there is no power button on the device, then the mains plug is used as the disconnect device, which shall remain readily operable.
- Refer all servicing to qualified service personnel. Servicing is required when the device has been damaged in any way, for example, power-supply cord or plug is damaged, liquid has been spilled or objects have fallen into the device, the device has been exposed to rain or moisture, does not work normally, or has been dropped.

IV Connect to the extender



Appearance



- Operating environment: Temperature: 0°C - +40°C; Humidity: (10% - 90%) RH, non-condensing;
Storage environment: Temperature: -40°C - +70°C; Humidity: (5% - 90%) RH, non-condensing.
- Warning: To reduce the risk of fire or electric shock, do not expose this apparatus to rain or moisture. The apparatus shall not be exposed to dripping or splashing.
- Warning: To reduce the risk of electric shock, do not remove cover as there are no user-serviceable parts inside. Refer servicing to qualified personnel.



CE Mark Warning

This is a Class B product. In a domestic environment, this product may cause radio interference, in which case the user may be required to take adequate measures. Operations in the 5.15-5.25GHz band are restricted to indoor use only. This equipment should be installed and operated with a minimum distance 20cm between the device and your body. The mains plug is used as disconnect device, the disconnect device shall remain readily operable. **NOTE:** (1) The manufacturer is not responsible for any radio or TV interference caused by unauthorized modifications to this equipment. (2) To avoid unnecessary radiation interference, it is recommended to use a shielded RJ45 cable.

Declaration of Conformity

Hereby, SHENZHEN TENDA TECHNOLOGY CO., LTD. declares that the device is in compliance with Directive 2014/53/EU. The full text of the EU declaration of conformity is available at the following internet address:
<https://www.tendacn.com/download/list-9.html>

Operating Frequency:
2.4 GHz: EU/2412-2472 MHz
5 GHz: EU/5150-5250 MHz
EIRP Power (Max.):
2.4 GHz: < 20dBm
5 GHz: < 23dBm
Software Version: V1.0.1.X

For EU/EFTA, this product can be used in the following countries:

!	BE	BG	CZ	DK	DE	EE	IE	EL	ES	FR	HR	IT	CY	LV
	LT	LU	HU	MT	NL	AT	PL	PT	RO	SI	SK	FI	SE	UK(NI)



RECYCLING

This product bears the selective sorting symbol for Waste electrical and electronic equipment (WEEE). This means that this product must be handled pursuant to European directive 2012/19/EU in order to be recycled or dismantled to minimize its impact on the environment.

User has the choice to give his product to a competent recycling organization or to the retailer when he buys a new electrical or electronic equipment.

Technical Support

Shenzhen Tenda Technology Co., Ltd.
Floor 6-8, Tower E3, No.1001, Zhongshanyuan Road, Nanshan District, Shenzhen, China. 518052
Website: www.tendacn.com
E-mail: support@tenda.com.cn

Copyright

© 2022 Shenzhen Tenda Technology Co., Ltd. All rights reserved.
tenda is a registered trademark legally held by Shenzhen Tenda Technology Co., Ltd. Other brand and product names mentioned herein are trademarks or registered trademarks of their respective holders. Specifications are subject to change without notice.